



ANTENNA INSTRUCTIONS

IFR4000 NAV/COMM TEST SET HIGH EFFICIENCY ANTENNA

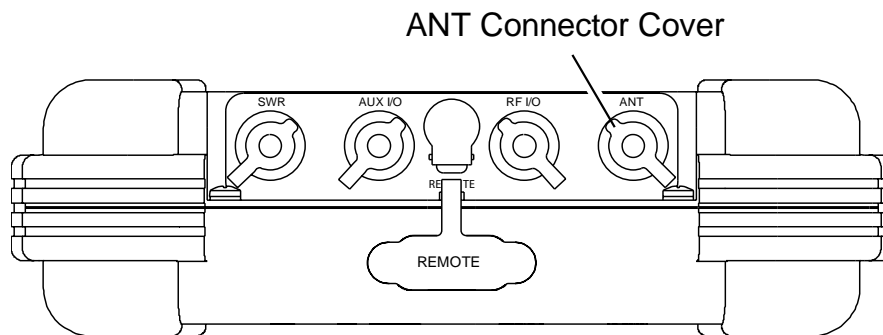
ANTENNA USE

The High Efficiency Antenna (PN 9137) is used when testing wide-bodied aircraft with the Nav/Comm System from the flight deck.

The High Efficiency Antenna should be used when there is difficulty in clearing Nav Flags or when lifting of VHF Comm squelch occurs.

ANTENNA INSTALLATION

- 1) Remove connector cover from IFR4000 ANT Connector.



- 2) Connect High Efficiency Antenna to IFR4000 ANT Connector.



- 3) When used, the High Efficiency Antenna should be fully extended.

For further assistance and/or questions, contact VIAVI Customer Service:

VIAVI Solutions
10200 West York
Wichita, KS 67215 U.S.A.
PHONE: (800) 835-2350
EMAIL: Techsupport.avcomm@viasolutions.com