

# Traffic Analysis Agent (TAA)

## For NITRO Core

Network Data Traffic Analyzer with Accessories



**NITRO™ Core TAA** Agent uses VIAMI-patented innovation to:

- Generate CP/UP KPIs and third party SMARTmetrics feeds
- Identify the user plane applications in use and determine end-user quality of experience (QoE)
- Deliver performance and QoE metrics up to 15x faster at a lower cost than traditional assurance solutions

### Key Benefits

- Visibility into network performance
- Visibility into subscriber application experience, voice quality experience and QoS
- Significantly lower cost than traditional monitoring solutions for the same visibility and throughput levels
- Significantly lower cost than traditional protocol analysis tools without reducing insight

### Key Features

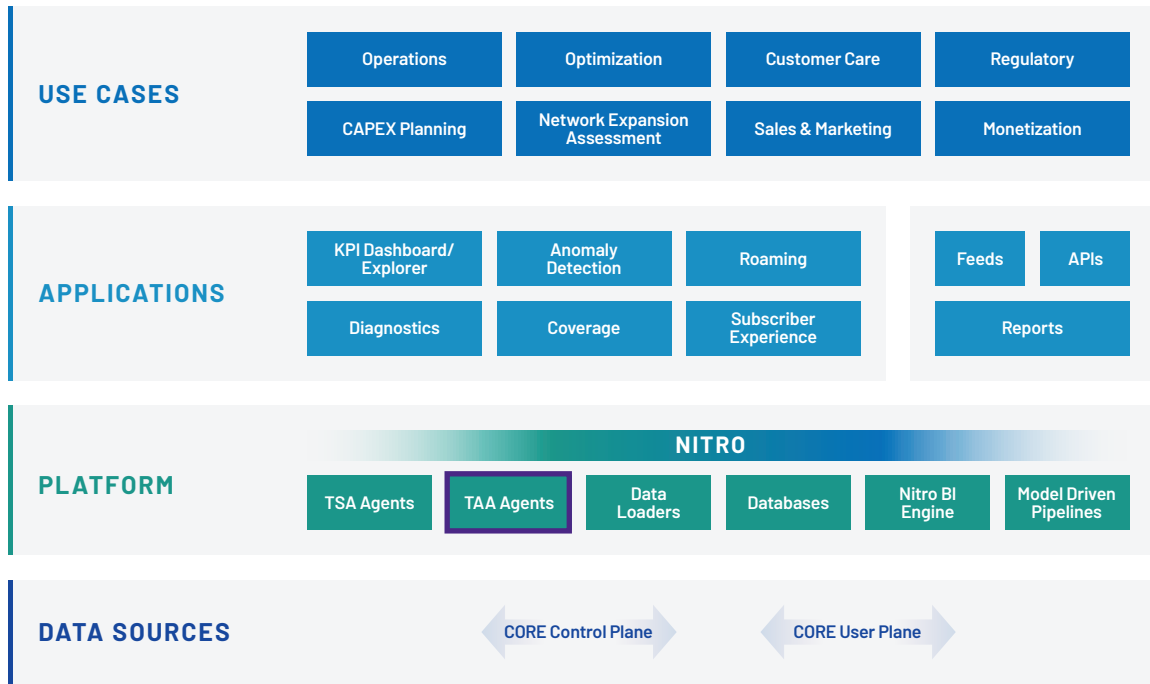
- High performance, compact form factor (when no packet/record storage is required)
- Fast response and high granularity user-plane visibility engine provides application and voice quality metrics
- Patented service, app, and URL categorization process with very broad coverage (5,000+ applications)
- CP/UP KPI generation to drive network performance metrics
- SMARTmetrics™ feed for third-party applications or customer data lake

### Use Cases

- Monitor mobile network, service, and customer performance in real time
- Troubleshoot mobile network, service, and customer performance faults

## NITRO Core Portfolio

**NITRO Core** by VIAVI addresses mobile service provider challenges with an innovative approach to delivering analytics and assurance for modern mobile networks. It focuses on a subscriber-centric approach, providing service-focused, proactive, and unified workflows that deliver correlated, app-aware insights.



NITRO Core Portfolio Overview

### Efficient Traffic Processing

The **NITRO Core Traffic Analysis Agent (TAA)** captures control-plane traffic frames, generates CP/UP (control-plane/user-plane) Key Performance Indicators (KPIs), and drives network performance metrics. These KPIs serve as inputs for NITRO CORE applications. Additionally, the SMARTmetrics feeds can be used as input to third party applications or feed a data lake.

However, if traffic storage (packets/records) is required, operators should opt for the **NITRO Core Traffic Storage Agent (TSA)** instead. This ensures comprehensive data storage and retrieval capabilities.

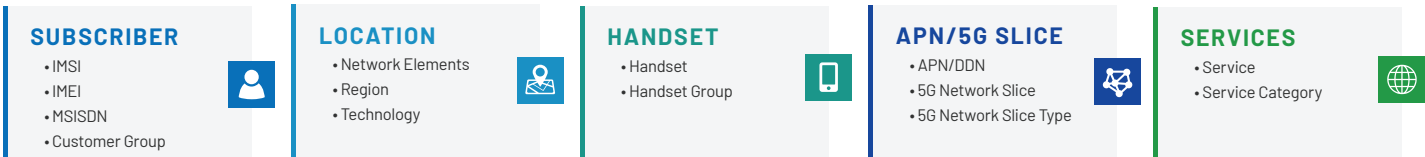
### Third-Party Application Feeds

In addition to supporting NITRO CORE applications, the **Traffic Analysis Analysis (TAA)** can supply SMARTmetrics insights to non-VIAVI third-party applications or data lakes. Operators can tailor the feed content to output only the data required by third-party applications, minimizing processing burden and reducing overall solution costs. TAA feeds cover both control-plane and user-plane data, delivered at timed intervals. This seamless integration enhances collaboration and efficiency across applications.

## Service/Application Classification

The **NITRO Core Traffic Analysis Agent (TAA)** employs various methods to identify end-user services/ applications including an industry leading DPI engine with support for 5,000+ applications.

User plane records play a vital role in mobile assurance. To enhance their effectiveness, these records are enriched with additional information. Precise identification is crucial for optimizing network performance and ensuring a seamless experience for subscribers. By leveraging this enriched data, operators can proactively address issues and deliver exceptional service quality.



User plane enrichment examples

## Use Cases

### Real Time Monitoring of Network, Service and Customer KPIs

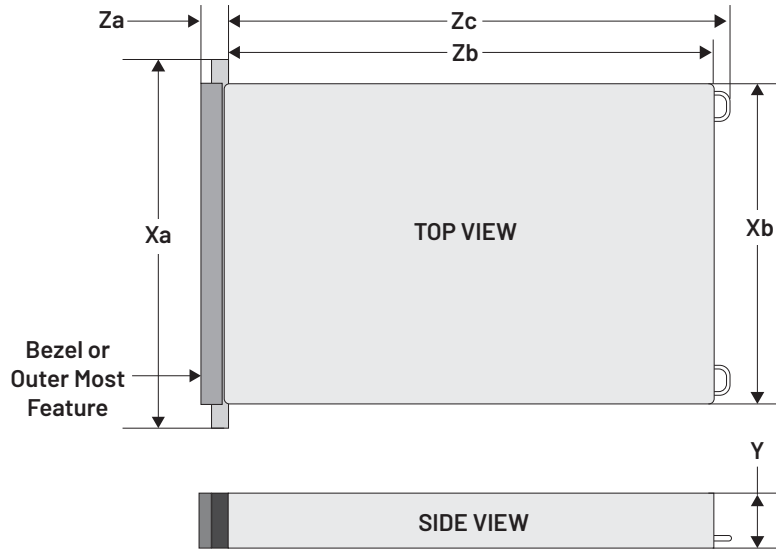
NITRO Core Traffic Analysis Agent (TAA) generates mobile KPIs for NITRO Core and third-party apps to detect potential or recent customer-impacting issues. With quick SMARTmetrics, including user-app analysis and KPI insights, the NITRO Core TAA is both **more effective and cost-efficient** than similar solutions.

### Fault Troubleshooting of Mobile Network, Service, and Customer Performance Faults

NITRO Core TAA's SMARTmetrics, supported by the CEA and Performance Explorer apps, offers a **quicker, easier KPI-based troubleshooting method**.

# NITRO Core TAA Specification

Physical Parameters		
Appliance information	Size	1U (dimensions below)
	Weight (maximum)	22.51 kg (49.62 lbs)
	Power	2 AC PSU (1100 W) / 4100 BTU/hr 2 DC -48 V (1100 W) / 4625 BTU/hr
Interface configuration		J9052B - 2x10/1 Gbps ports
		J9053B - 4x10/1 Gbps ports
		J9054C - 2x40/100 Gbps or 8x10 Gbps ports
Product Numbers		J9001C-1AC/1DC Base Config
		J9007A-1AC/1DC Premium Config
Technology Support		2G, 3G, 4G (LTE), 5G, VoLTE/IMS, VoNR



$X_a$	$X_b$	$Y$	Za with bezel	Za without bezel	$Z_b$	$Z_c$
482 mm	434 mm	42.8 mm	35.84 mm	22 mm	751.47 mm	787.04 mm

## Ordering Information

Please contact your VIAVI representative for more information or for ordering assistance.



Contact Us +1 844 GO VIAVI | (+1 844 468 4284)  
To reach the VIAVI office nearest you, visit [viavisolutions.com/contact](https://www.viavisolutions.com/contact)

© 2025 VIAVI Solutions Inc.

Product specifications and descriptions in this document are subject to change without notice.  
Patented as described at [viavisolutions.com/patents](https://www.viavisolutions.com/patents)

taa-nitrocore-ds-nto-nse-ae  
30194360 900 0325