

VIAVI

Xgig 16-lane CEM Analyzer Interposer for PCI Express® 6.0

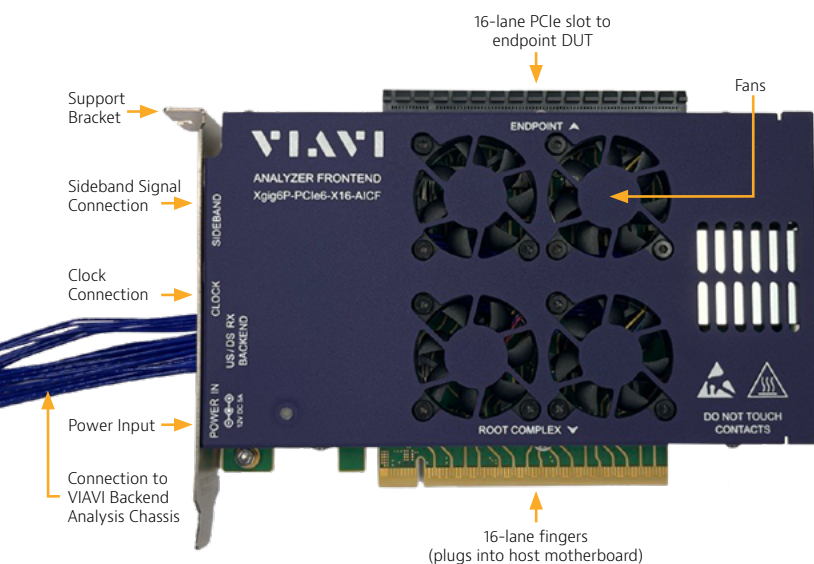
Provides a high-fidelity tap of data signals between a host system and adapter card for the VIAVI Analyzer

VIAVI Solutions Xgig® 16-lane CEM slot Analyzer Interposer provides connection between the VIAVI PCIe 6.0 Analyzer/ Exerciser chassis and a system under test for 64GT/s x16 capture. The Analyzer Interposer installs into a 16-lane PCIe CEM slot to provide a fully analog signal path between the Root Complex and the Endpoint. The Analyzer Interposer provides a tap of the data signal communication between host and endpoint devices for input to the Analyzer/ Exerciser chassis. It operates at the 64GTps, PCIe 6.0 rate, across 16-lanes (bi-directional).

This Analyzer Interposer uses high-speed linear signal redrivers to buffer system data signals across the Analyzer Interposer between the PCIe slot and PCB fingers. This design ensures a clean signal is delivered to the Analyzer/ Exerciser chassis and DUT devices for reliable protocol capture and analysis. Critically, the Analyzer Interposer can also be paired with the VIAVI PCIe 5.0 Analyzer/Exerciser chassis for 4-lane, 64 GT/s capture.

Key Features

- Supports link widths up to 16-lanes, 64 GT/s capture when paired with VIAVI PCIe 6.0 x16 Analyzer/Exerciser Chassis
- Supports link widths up to 4-lanes, 64 GT/s capture when paired with VIAVI PCIe 5.0 x16 Analyzer/Exerciser Chassis
- Operates at 64GT/s PCIe 6.0 data rates, and is compatible with PCIe rates of 2.5, 5.0, 8.0, 16GT/s and 32 GT/s
- A top edge 16-lane CEM slot connector accepts all endpoint DUT adapter cards
- Bottom edge 16-lane PCB finger connector installs into host test system's 16-lane PCIe slot
- Supplied with high-quality custom data cables for Chassis attachment to ensure good signal capture with minimal tuning effort
- Supports Analyzer side-band signal triggering and capture
- Analyzer Interposer power is independent of host system
- Format: Design is based on the 16-lane Card Electro-Mechanical (CEM) specification
- Size: 180.4mm deep x 105.1mm tall x 18.28mm thick
- Supported by Xgig tool suite including Trace Control, Expert™ and Serialytics™
- Provides consistent, repeatable capture of link training, equalization negotiation and other data



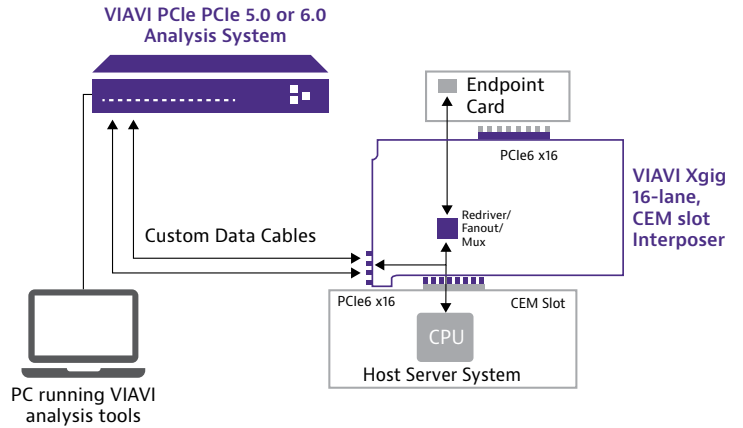
Applications

Working together with the VIAVI PCIe 6.0, Analyzer/Exerciser chassis, this Analyzer Interposer enables debug and verification of new ICs, new system hardware designs, FPGA firmware, validation of system BIOS and software, and supports manufacturing test.

The Xgig 16-lane, CEM slot Analyzer Interposer is inserted into a 16-lane PCIe slot in the host system, and an endpoint card is installed into the top 16-lane slot connector creating the test data path. Cables connect the Interposer to the VIAVI protocol Analyzer/Exerciser chassis.

The diagram to the right indicates the signal path with DUT devices attached. Note that this Analyzer Interposer requires an open DUT system chassis while in use. The Analyzer captures DUT data (tapped) from both the upstream and downstream signal paths as inputs to the Analyzer/Exerciser chassis.

VIAVI offers a variety of other Interposer types for connecting into many popular PCIe system applications, including other CEM, U.2, M.2, EDSFF, CDFP (CoppoLink), MCIO (CoppoLink), Flying-Lead and others.



Kit Contents

| Item | Description | Qty |
|------|---|-----|
| 1 | Xgig6P-PCIE6-X16-AICF, 16-lane CEM Analyzer Interposer Front End Module with cables | 1 |
| 2 | Sideband cable for PCIe | 1 |
| 3 | Power supply, 120/220 input, 12V | 1 |
| 4 | DUT Mounting Bracket | 1 |
| 5 | Quick Start Guide | 1 |

Ordering Information

| Part Number | Description |
|------------------------------|---|
| XGIG6P-PCIE6-X16-AIC | CEM Front End and Back End Modules Bundle |
| XGIG-INTPSR-C-Hx (x=1,2,3,4) | x-year extended hardware warranty |
| XGIG6P-PCIE6-X16-AICA | CEM Front End and Back End Module and 5P16 Accessory Bundle |
| XGIG6P-PCIE6-X16-UAM | Universal Analyzer Backend Module |
| XGIG6P-PCIE6-AN5P-AB | 5P16 Accessory Bundle |

*CEM: Card Electro-Mechanical Specification (a PCIe spec)



Contact Us **+1 844 GO VIAVI**
(+1 844 468 4284)

To reach the VIAVI office nearest you,
visit viasolutions.com/contact

© 2024 VIAVI Solutions Inc.
Product specifications and descriptions in this document are subject to change without notice.
Patented as described at
viasolutions.com/patents
xgig-16-lane-cem-interposer-ds-snt-nse-ae
30193520 902 0624

viasolutions.com