



Fast-Attach Universal Strap Clamp

User Guide



Notice

Every effort was made to ensure that the information in this manual was accurate at the time of printing. However, information is subject to change without notice, and VIAVI reserves the right to provide an addendum to this manual with information not available at the time that this manual was created.

Copyright/Trademarks

© Copyright 2024 VIAVI Solutions Inc. All rights reserved. No part of this guide may be reproduced or transmitted, electronically or otherwise, without written permission of the publisher. VIAVI Solutions and the VIAVI logo are trademarks of VIAVI Solutions Inc. (“Viavi”). All other trademarks and registered trademarks are the property of their respective owners.

Patented as described at www.viavisolutions.com/patents.

Copyright release

Reproduction and distribution of this guide is authorized for US Government purposes only.

Terms and conditions

Specifications, terms, and conditions are subject to change without notice. The provision of hardware, services, and/or software are subject to VIAVI standard terms and conditions, available at www.viavisolutions.com/en/terms-and-conditions.

Open source disclaimer - IMPORTANT READ CAREFULLY

This product includes third party software licensed under the terms of separate open source software licenses. By using this software you agree to comply with the terms and conditions of the applicable open source software licenses. Software originated by VIAVI is not subject to third party licenses. Terms of the VIAVI Software License different from applicable third party licenses are offered by VIAVI alone.



About this Guide

Thank you for purchasing RF Vision Fast-Attach Universal Strap Clamp. This prefix explains how to use this manual to get you up and running as soon as possible.

Purpose and scope

The purpose of this guide is to help you successfully use the product capabilities. Additionally, this guide provides a complete description of the VIAVI warranty and services, including terms and conditions of the licensing agreement.

Assumptions

This guide is intended for novice, intermediate, and experienced users who want to use the product effectively and efficiently. We are assuming that you have antenna alignment experience and are familiar with basic telecommunication concepts and terminology.

Technical assistance

If you require technical assistance, call 1-844-GO-VIAVI / 1.844.468.4284.

Outside US: +1-855-275-5378

Email: AT.Support@viavisolutions.com

For the latest TAC information, visit

<https://support.viavisolutions.com>

<https://www.viavisolutions.com/en/services-and-support/support/technical-assistance>

Symbol conventions



This symbol indicates a note that includes important supplemental information or tips related to the main text.



This symbol represents a general hazard. It may be associated with either a DANGER, WARNING, CAUTION, or ALERT message.



This symbol represents an alert. It indicates that there is an action that must be performed in order to protect equipment and data or to avoid software damage and service interruption.



This symbol represents hazardous voltages. It may be associated with either a DANGER, WARNING, CAUTION, or ALERT message.



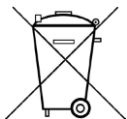
This symbol represents a risk of explosion. It may be associated with either a DANGER, WARNING, CAUTION or ALERT message.



This symbol represents a risk of a hot surface. It may be associated with either a DANGER, WARNING, CAUTION, or ALERT message.



This symbol represents a risk associated with fiber optic lasers. It may be associated with either a DANGER, WARNING, CAUTION or ALERT message. See the *Safety Definitions* below for more information.



This symbol, located on the equipment, battery, or the packaging indicates that the equipment or battery must not be disposed of in a land-fill site or as municipal waste, and should be disposed of according to your national regulations.

Safety definitions

Term	Description
DANGER	Indicates a potentially hazardous situation that, if not avoided, will result in death or serious injury. It may be associated with either a general hazard, high voltage, or other symbol.
WARNING	Indicates a potentially hazardous situation that, if not avoided, could result in death or serious injury. It may be associated with either a general hazard, high voltage, or other symbol.
CAUTION	Indicates a potentially hazardous situation that, if not avoided, could result in minor or moderate injury and/or damage to equipment. It may be associated with either a general hazard, high voltage, or risk of explosion symbol. When applied to software actions, indicates a situation that, if not avoided, could result in loss of data or a disruption of software operation.
ALERT	Indicates that there is an action that must be performed in order to protect equipment and data or to avoid software damage and service interruption.

What ships with Fast-Attach Universal Strap Clamp

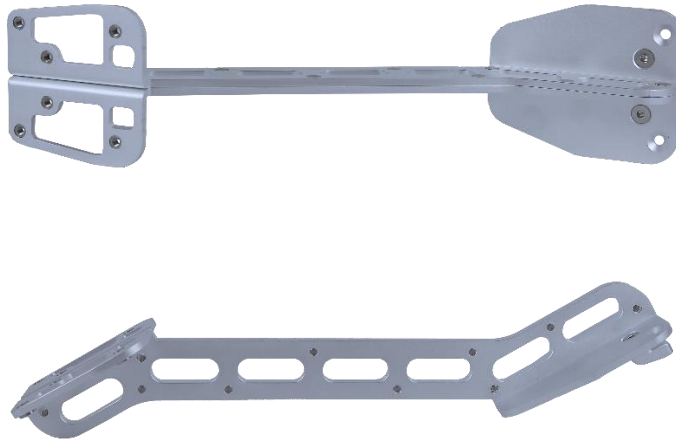
When unpacking the kit, the following standard items are included.

- AT-RFV-BRK-USC
 - New Fast-Attach Universal Strap Clamp for the RF Vision, including a self-retracting, ratcheting strap spool and fast-attach orthogonal registration surfaces
 - Aluminum Mounting Plate used with Strap Clamp to attach RF Vision with screws
 - Side Support Snowshoe with screws
 - 8-foot extender strap
 - Hex wrench
 - Soft carrying case
 - QR code sheet to download users guide

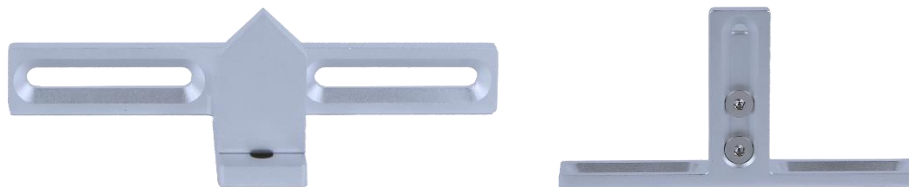


In addition, and as optional items, users can also acquire:

- AT-RFV-BRK-EXT
 - Extension arm for the RF Vision Fast-Attach Universal Strap Clamp, Extends the RF Vision forward of mounting position to help clear GNSS view from overhead obstructions



- AT-RFV-BRK-SCPT
 - Small Cell Pointer attachment for the RF Vision Fast-Attach Universal Strap Clamp, assists with mounting registering the RF Vision to cylindrical & small cell antennas



Preparation for use

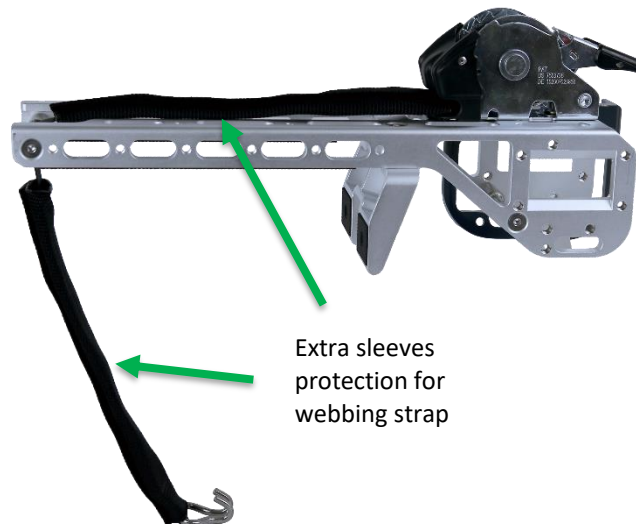
This section explains how to start using the Fast-Attach Universal Strap Clamp. When unpacking your instrument, do the following:

- Inspect the strap for damage. If the instrument is damaged, put it back in the box and contact VIAVI customer service (see *“Technical assistance” on page 9*).
- If undamaged, save the box and packing materials in case you need to ship the instrument in the future.

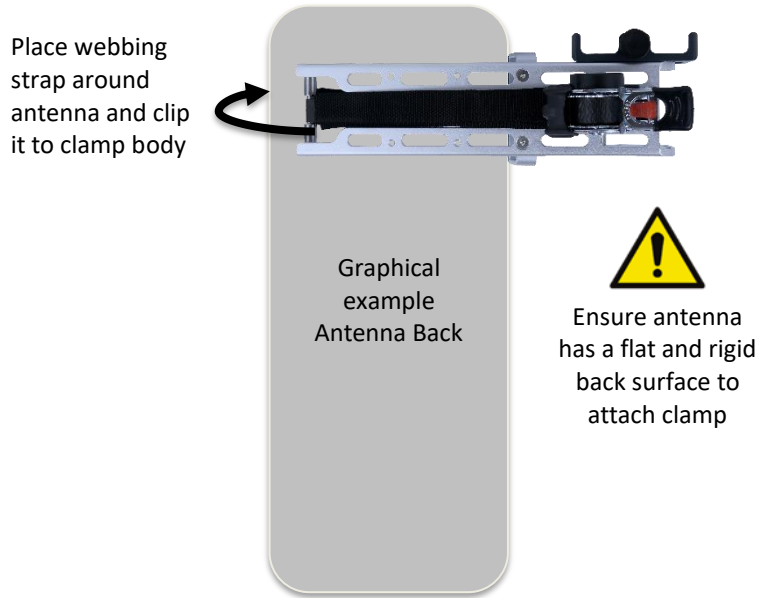
Attachment options

A RF Vision and using the Fast-Attach Universal Strap Clamp, can be attached to panel or microwave antennas and on several positions.

- Panel antenna
1. Upon removing clamp from soft bag, ensure strap extra sleeves protection are implemented on the strap.



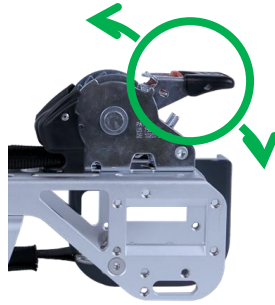
2. Position the Fast-Attach Universal Strap Clamp at the highest point possible of the antenna.



3. To release the webbing strap, click on the retractable system red button located on the clamp. Pass the webbing strap around the antenna and clip the webbing strap buckle to strap clamp.



-
4. Press the red button again and push forward the black ratch ladder on the strap retractable system until you can use it, to coil the strap, tight the clamp to the antenna faces and reach a stable and steady position.

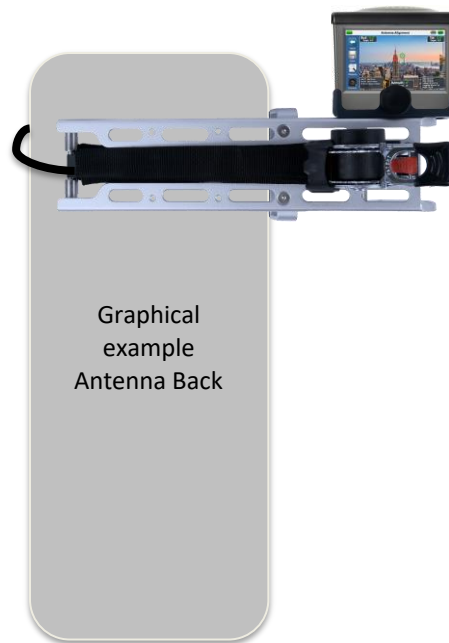


Attention: Do not overtighten the clamp to antenna, because it can damage the antenna.

Additional views on panel antenna attachment process and webbing strap system



5. Place the RF Vision on the mounting plate, then use mounting plate knob to secure RF Vision and proceed with antenna alignment



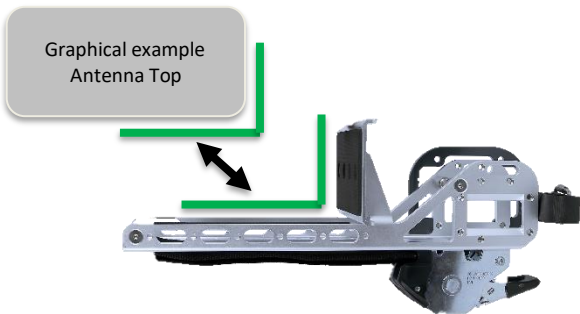
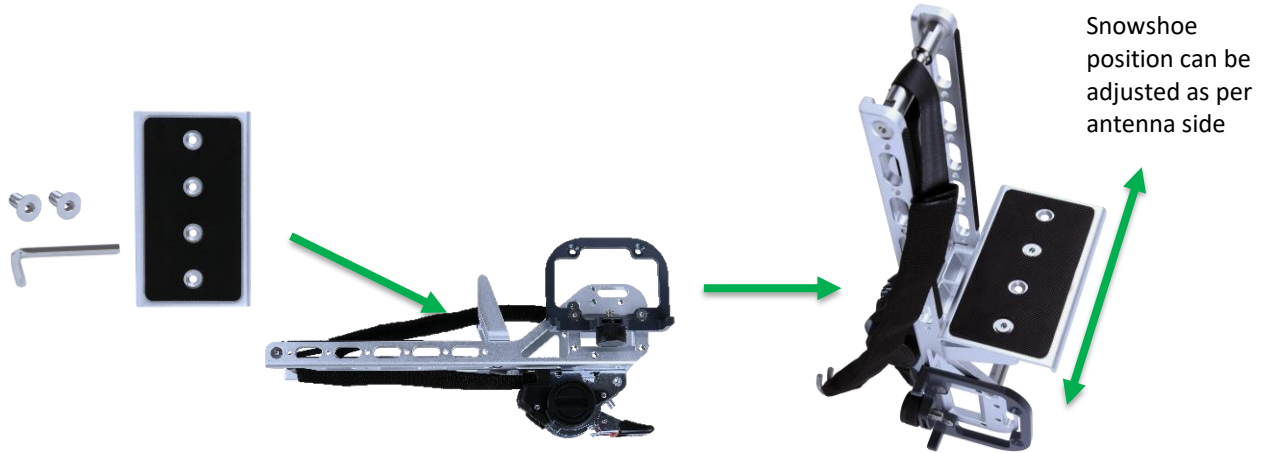
6. Upon Antenna Alignment completion, remove RF Vision from the mounting plate and untight webbing strap from the antenna by pressing on the strap retractable system red button. Secure all items with safety and always proceed according to safety guidelines for this type of work



Attention: Always ensure strap clamp and RF Vision are securely connected to the antenna and are connected to safety lanyards to avoid any item from falling.

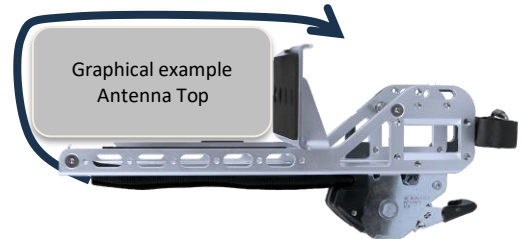
- Side support snowshoe

In case, the antenna side face is not rigid, using the 2 screws and Allen Key, attach the side support snowshoe to help with antenna side attachment and strap alignment, plus, avoid damaging the antenna,

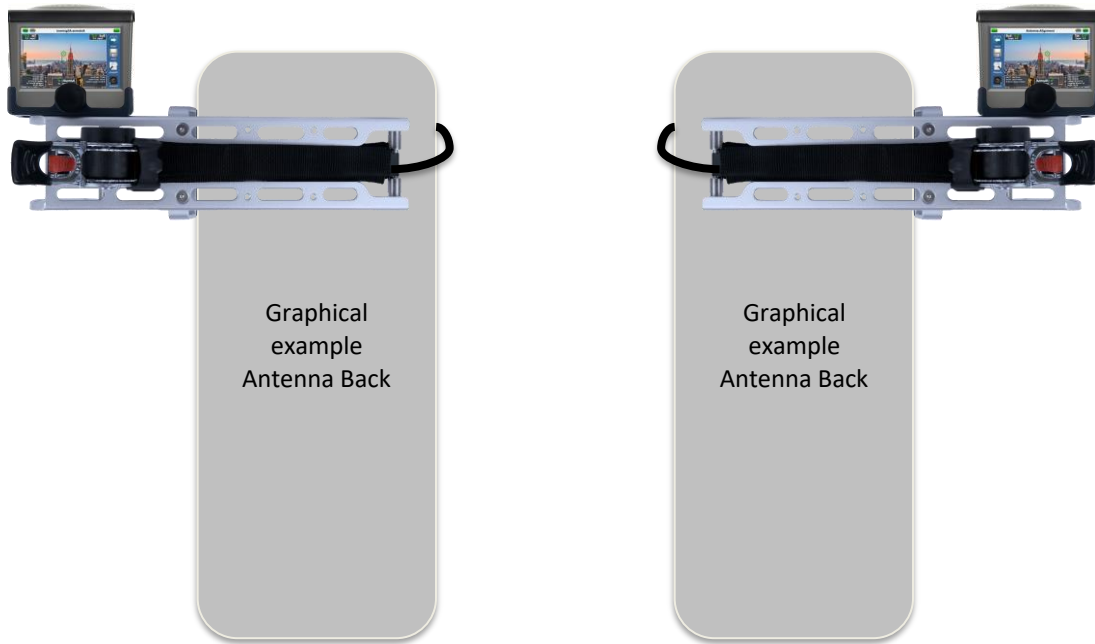


Ensure clamp back and side are aligned with antenna back and side

Place webbing strap around antenna and clip it to clamp body



- Panel Antenna attachment positions



- Mounting plate positions

Depending on the situation, RF Vision mounting plate can be placed on several positions on the clamp as follows:



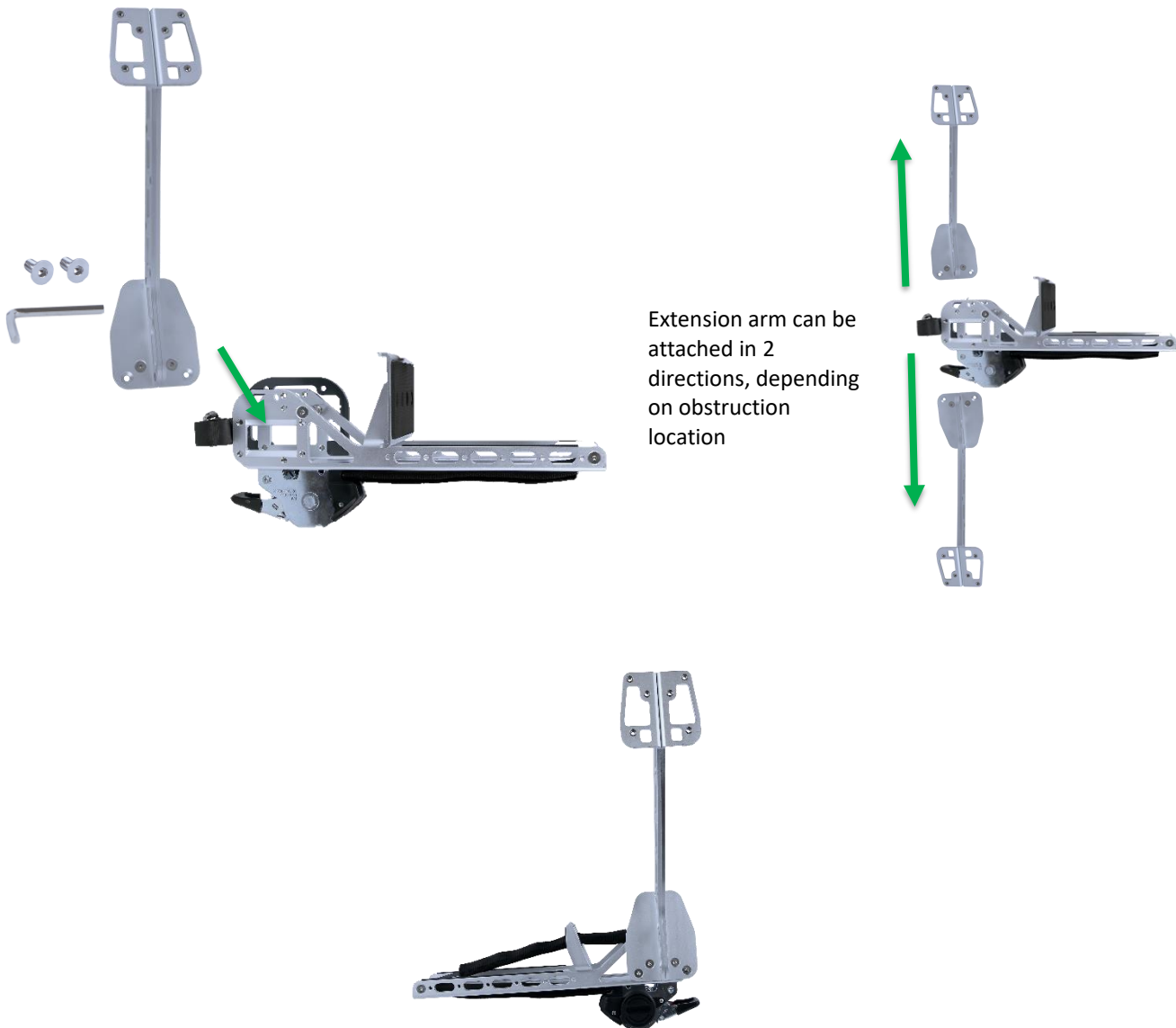
Attention: When using one of the mounting plate positions, always assure RF Vision offset azimuth setting is properly selected and to be in line with mounting clamp position. Mounting plate Off set possible positions are 45, 90 and 180 degrees.

- Extension arm

Extension arm for the RF Vision Fast-Attach Universal Strap Clamp, can be used in situations where the RF Vision location is affected by overhead obstructions, thus, making GNSS capture difficult.

Extending the RF Vision forward of mounting position with the extension arm will help clear GNSS view from obstructions.

Using the extension arm, 2 screws and Allen Key, attach the extension arm to the clamp



Upon extension arm attachment, the RF Vision mounting plate can be placed in several locations on the extension arm extreme.



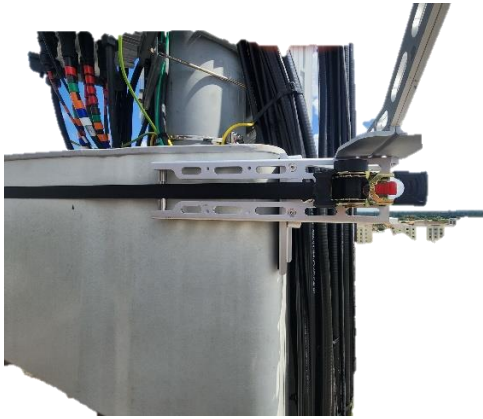
Attention: When using one of the mounting plate positions, always assure the RF Vision offset azimuth setting is properly selected to be in line with mounting clamp position. Make sure the extension bracket is secured with both screws to obtain proper alignment.

Mounting plate Off set possible positions are 45, 90 and 180 degrees.

- Example of antenna attachments:



Extended arm

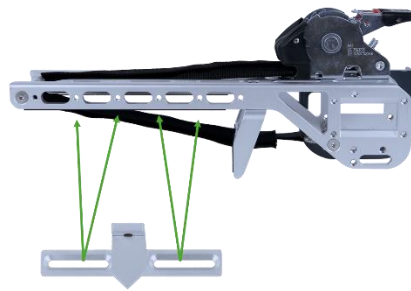


-
- Small cell pointer

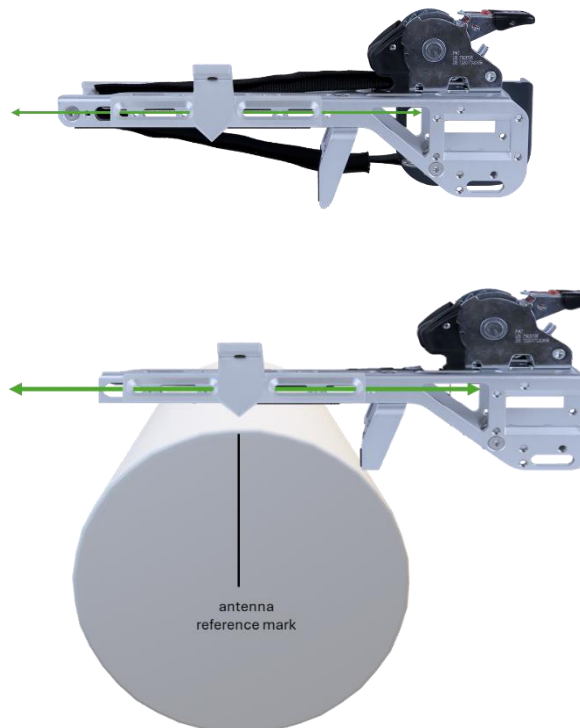


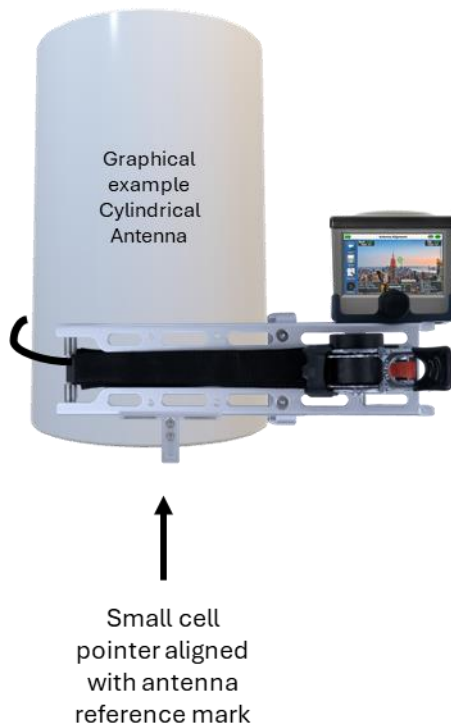
Small cells or cylindrical stealth antennas have a reference point for the alignment tools to be mounted. With the Small Cell pointer, you can attach the Fast Attach Universal Strap Clamp following the reference point.

Using the screw holes on the clamp surface, attach the small cell pointer to the bracket



Adjust the Small cell pointer location on the bracket to a position in the bracket that will enable to center the small cell pointer with the antenna reference marker, when the clamp is attached to the antenna.





Attention: When using the Small Cell pointer, always assure the RF Vision small cell pointer is aligned with the antenna reference mark.

- 8-foot extender strap



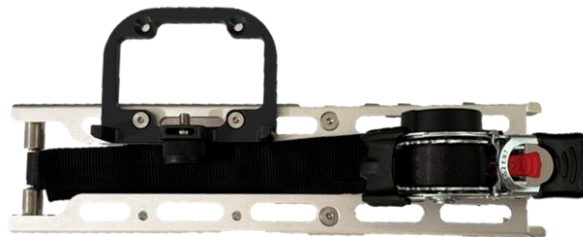
In a multi-technology environment, sites can have both panel antennas and microwave dishes in different shapes and/or sizes. Use the 8-foot extender strap to extend webbing strap length and adapt to larger width antennas.

-
- Microwave antenna



Attention: the Fast Attach Universal Strap clamp can only be used on parabolic microwave antennas with a rigid side “radome” or on microwave antennas with a flat rigid front face

1. Place the mounting plate on the clamp



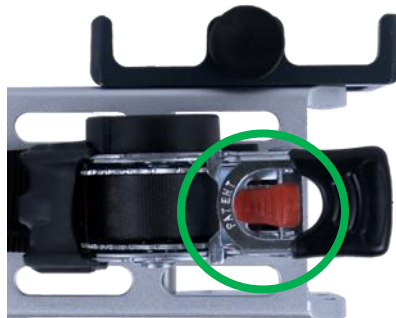
2. Position the Fast-Attach Universal Strap Clamp at the antenna, as shown below:

In case the microwave antenna has a flat and rigid front face, the clamp can also be attached in the following position (check if the antenna front face is rigid to avoid damaging the antenna).

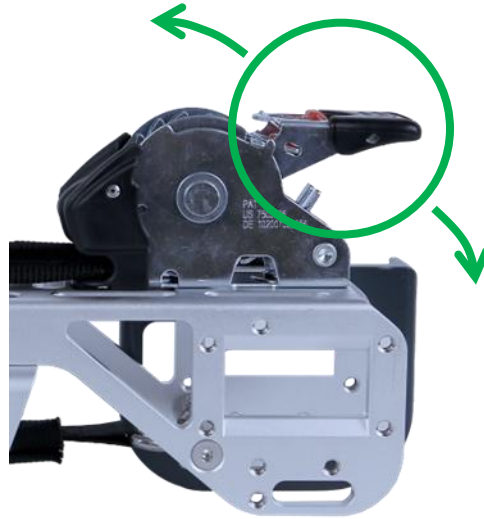


Attention: Ensure both strap clamp faces (front and side) are aligned with the microwave antenna side or front surface.

3. Upon attachment, click on the red button, on the strap retractable system to release the strap. Pass the strap around the antenna and clip the strap buckle to the strap clamp.



-
4. Press the red button and push forward the black ratch ladder on the strap retractable system until you can use it to coil the strap and tight the clamp to the antenna faces and reach a stable and steady position.



Attention: Do not overtight the clamp to antenna, because it can damage the antenna

5. Place the RF Vision on the mounting plate then use mounting plate knob for secure attachment and proceed with antenna alignment

The extension arm can also be used on the front microwave antenna installation option.

Upon Antenna Alignment completion, remove the RF Vision from the mounting plate and untight the strap from the antenna by pressing on the strap retractable system red button. Secure all items with safety and always proceed according to the safety guidelines for this type of work.



Appendix

This appendix includes troubleshooting and supplemental information, including the following:

- “Technical assistance” on page 37
- “Additional information” on page 37
- “Ordering information” on page 38

Technical assistance

If you require technical assistance, call 1-844-GO-VIAVI / 1.844.468.4284.

Outside US: +1-855-275-5378

Email: AT.Support@viavisolutions.com

For the latest TAC information, visit

<https://support.viavisolutions.com>




<https://www.viavisolutions.com/en/services-and-support/support/technical-assistance>

Additional information

For more detailed information, contact us at AT.Support@viavisolutions.com for these additional documents.

[RF Vision User Guide](#)

Ordering information

Accessories		
Fast Attach Strap Clamp	AT-RFV-BRK- USC 	Fast attach mounting strap clamp bracket for antennas. Includes self-retracting, ratcheting strap spool and fast-attach orthogonal registration surfaces <ul style="list-style-type: none">• Weight: 4.45 lbs• Dimensions: 16.25L x 7.50W x 6.25H in
Extension Arm	AT-RFV-BRK-EXT 	Extension arm for the Fast-Attach Universal Strap Clamp <ul style="list-style-type: none">• Weight: 1.30 lbs• Dimensions: 16.75L x 3.87W x 3.50H in
Small Cell Pointer	AT-RFV-BRK- SCPT 	Small Cell Pointer for the Fast-Attach Universal Strap Clamp. Assists with mounting registering the RF Vision to cylindrical & small cell antennas <ul style="list-style-type: none">• Weight: 0.23 lbs• Dimensions: 6.00L x 2.00W x 3.00H in



March 2025 English

VIAMI Solutions

North America:

1.844.GO VIAMI / 1.844.468.4284

Latin America

+52 55 5543 6644

EMEA

+49 7121 862273

APAC

+1 512 201 6534

All Other Regions:

viavisolutions.com/contacts email

AT.Support@viavisolutions.com